

Customer Name _____

Date _____

Open Orbital Weld Head
TP250 / 400 / 600 / 1000



1. UTILIZATION OF EQUIPMENT HOURS/PER DAY _____

2. QUANTITY OF WELDS PER 8-HOURS DAY _____

3. PIPE MATERIAL :

SS 316L

Titanium

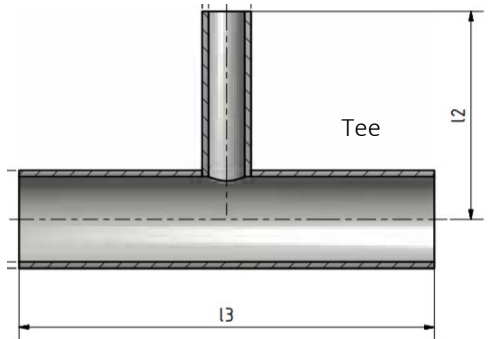
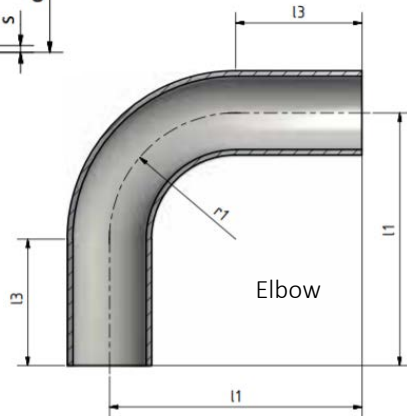
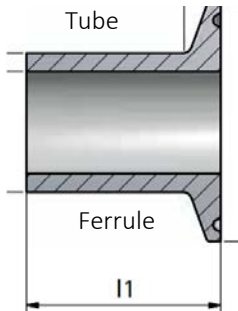
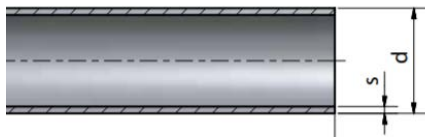
Duplex

Carbon Steel

Hastelloy

Monel

Other _____



4. PIPE & FITTING DIMENSION:

Tube OD, d		WT S, mm	Ferrule l1, mm	Elbow		Tee	
Inch	mm			l3, mm	l1	l3, mm	l2, mm

--	--	--	--	--	--	--	--

--	--	--	--	--	--	--	--

--	--	--	--	--	--	--	--